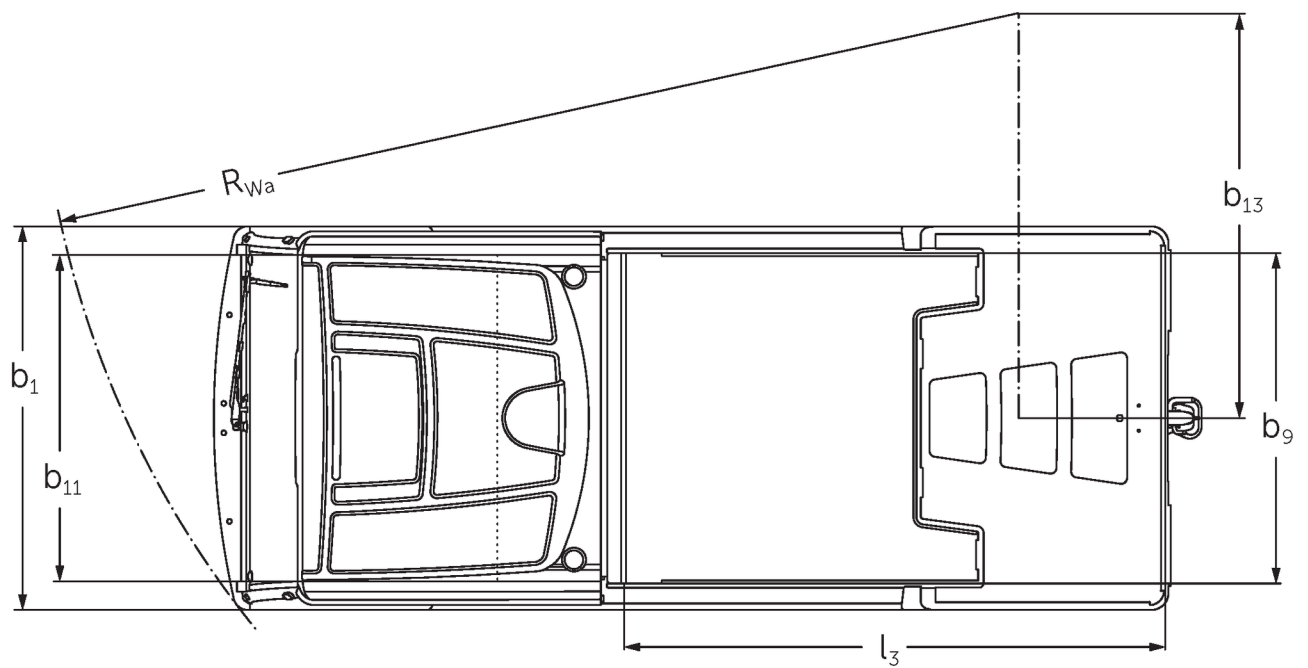
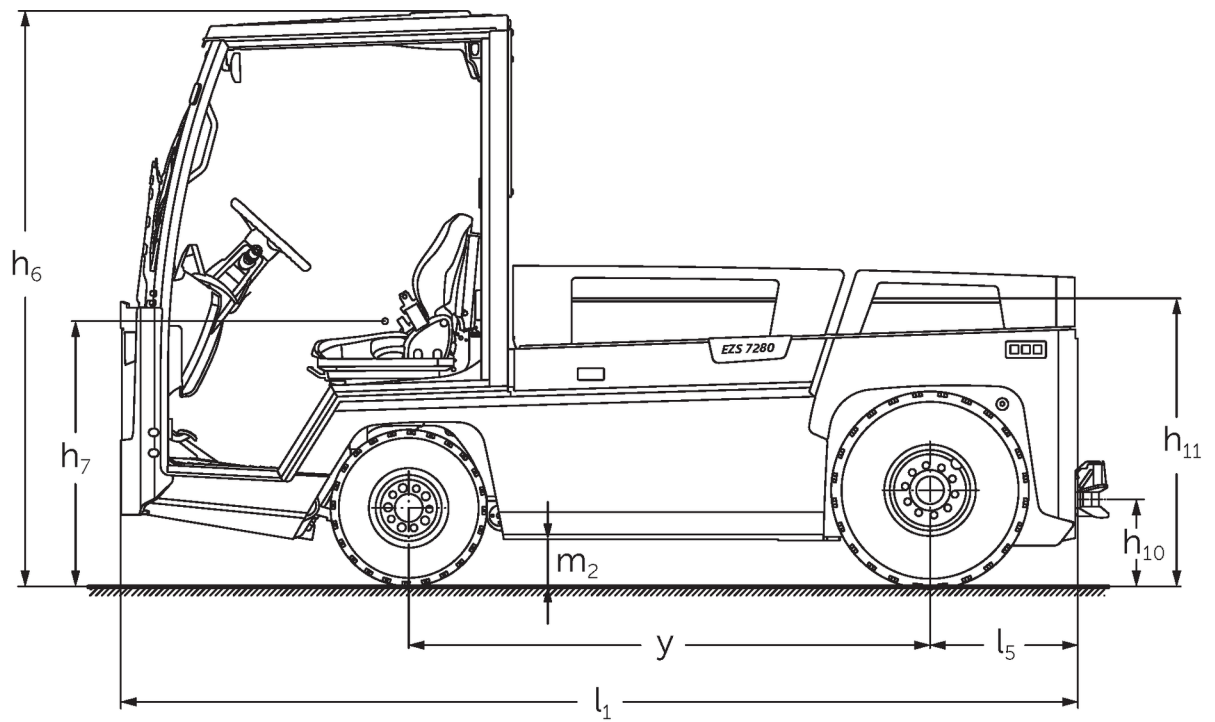




Electric tow tractor **EZS 7280**

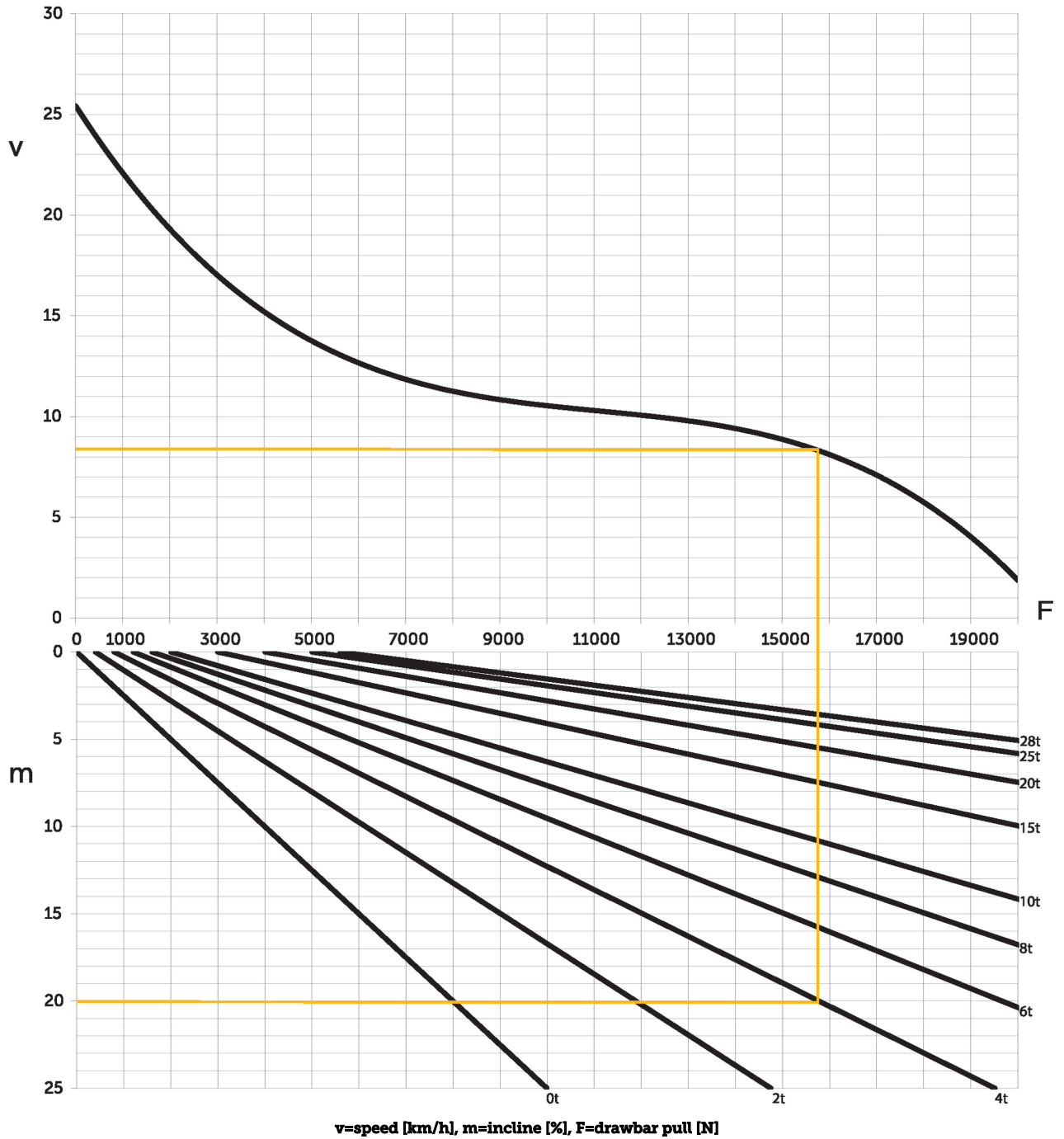
Load capacity: 28000 kg

EZS 7280



EZS 7280

Pulling ability



VDI table

Stand-on: 10/2020

Characteristic	No.	Description	Unit	Jungheinrich		
				EZS 7280	EZS 7280 XL	
Characteristic	1.1	Manufacturer (abbreviated description)		Jungheinrich		
	1.2	Manufacturer's type designation		EZS 7280	EZS 7280 XL	
	1.3	Drive		Electric		
	1.4	Operation		Seat		
	1.5	Load capacity/load	Q	kg		
	1.7	Rated drawbar pull		N		
Weights	1.9	Wheelbase	y	mm	1465 / 1755	
	2.1.1	Service weight (incl. battery)		kg	4088 / 4796	
Wheels/suspension system	2.3	Axle load unladen front/rear		kg	2100 / 1988 / 2446 / 2350	
	3.1	Tyres		SE / pneumatic		
	3.2	Tyre size, front		6.00 R9		
	3.3	Tyre size, rear		7.00 R12		
	3.5	Wheels, number front/back (x=driven)		2 / 2 x		
	3.6	Tread width, front	b ₁₀	mm	1070	
	3.7	Tread width, rear	b ₁₁	mm	1070	
Basic dimensions	4.7	Height of overhead guard (cab)	h ₆	mm	1970	
	4.8	Seat height/stand height	h ₇	mm	880	
	4.12	Coupling height	h ₁₀	mm	295	
	4.13	Loading height, unladen		mm	1000	
	4.16	Loading area length	l ₅	mm	1500	1880
	4.18	Loading area width	b ₉	mm	1090	
	4.19	Overall length	l ₁	mm	3000	3300
	4.21.1	Overall width	b ₁	mm	1300	
	4.32	Ground clearance centre of wheelbase	m ₂	mm	150	
	4.35	Turning radius	W _a	mm	2825	3275
Performance data	4.36	Smallest pivot point distance	b ₁₃	mm	935	1095
	5.1	Travel speed laden/unladen		km/h	12 / 25	
	5.5	Drawbar pull laden/unladen		N	5600 /	
	5.6	Max. drawbar pull laden/unladen		N	19000 /	
E-motor/ Electronics	5.10	Service brake			hydraulic/electric	
	6.1	Drive motor, performance S2 60 min		kW	20	
	6.4	Battery voltage/nominal capacity		V / Ah	80 / 620	80 / 930
	6.5	Battery weight		kg	1560	2180
	6.6	Energy consumption according to VDI cycle		kWh/h	0	
Other	8.1	Type of drive control			AC	
	10.7	Sound level as per EN12053, operator's ear		dB (A)	60	

- This data sheet according to VDI guideline 2198 only states the technical values of the standard truck. Different tyres, other masts, additional equipment etc. may result in different values.

- 5.1: 13 km/h with 25 t trailer load. - 10.7: With deactivated ventilation/heating.

The German production facilities in
Norderstedt, Moosburg and Landsberg
are certified.

ISO 9001
ISO 14001

Jungheinrich fork lift trucks meet
European safety requirements.



 **JUNGHEINRICH**

The logo features a red upward-pointing arrow integrated into the letter 'J' of the word 'JUNGHEINRICH', which is written in a bold, black, sans-serif font.